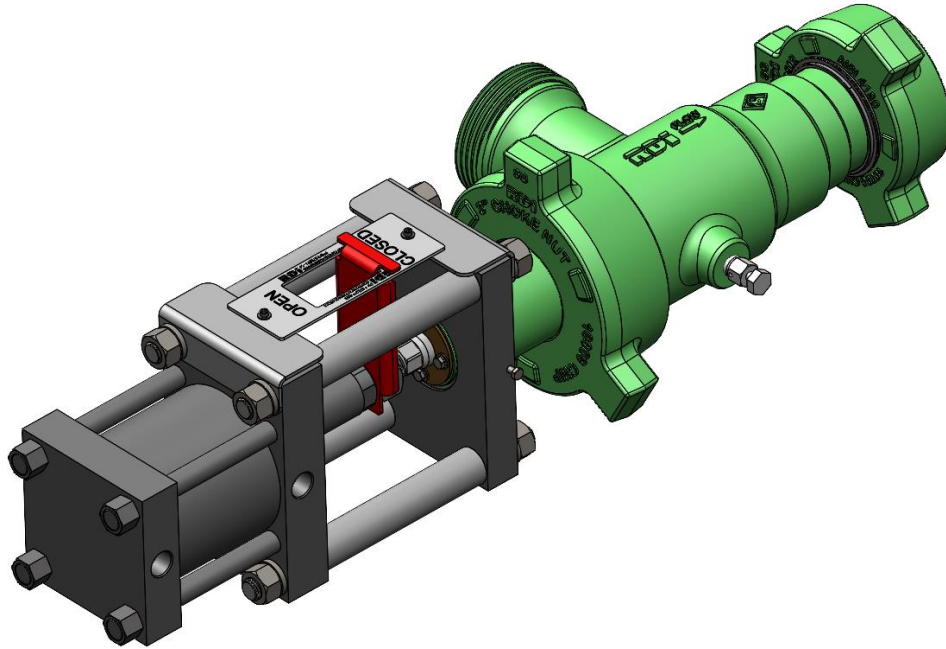


Red Deer Ironworks

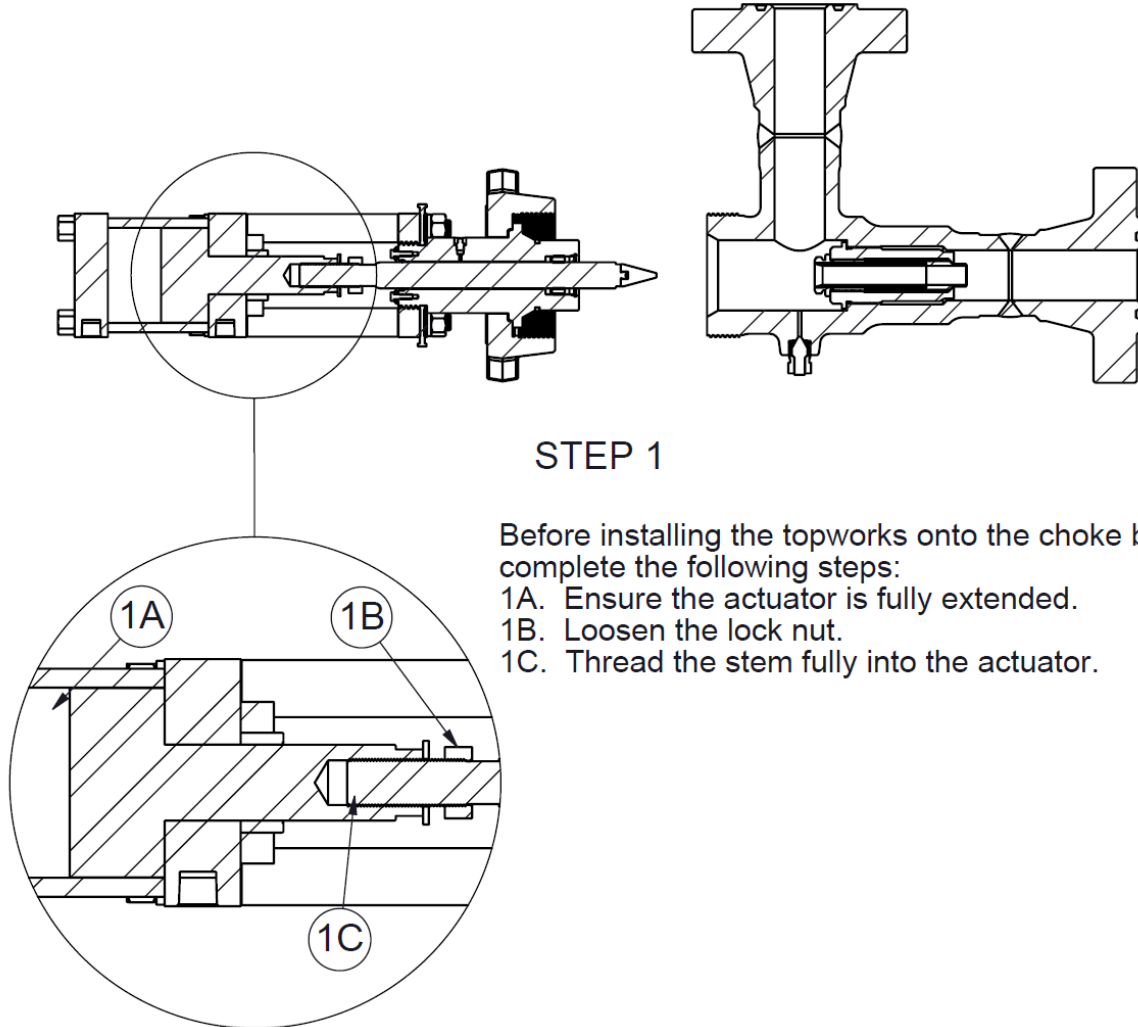


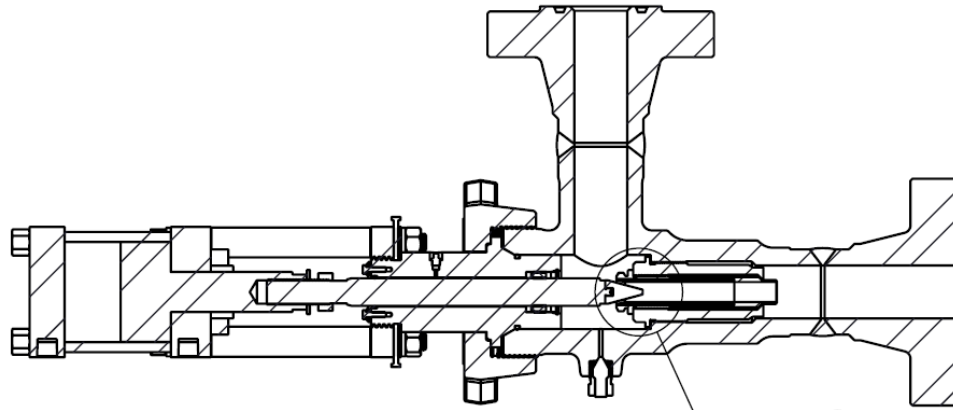
Hydraulic Actuated Choke Operation Manual

RDI
Valves · Flowline · Manifolds
Recertification

Chokes that this procedure can be used for: **AC31502HA, AC31502HASTD, AC315KHA, AC315KHA-7in**

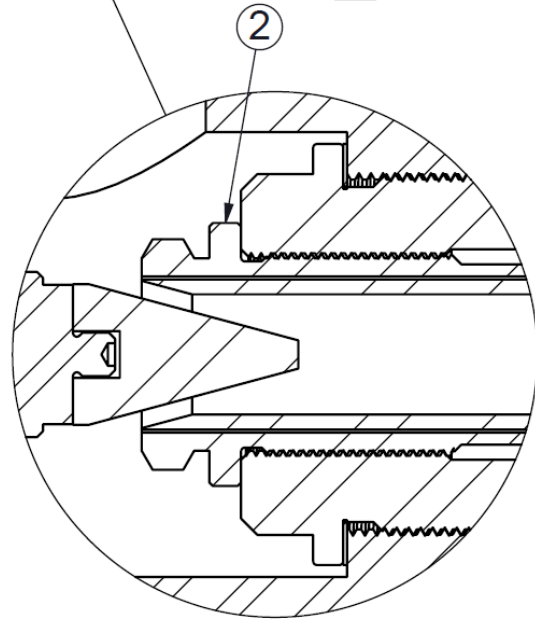
Failure to follow the following steps may result in broken stem tip and or seat carbide insert. These steps must be done before the topworks is installed on the choke body.

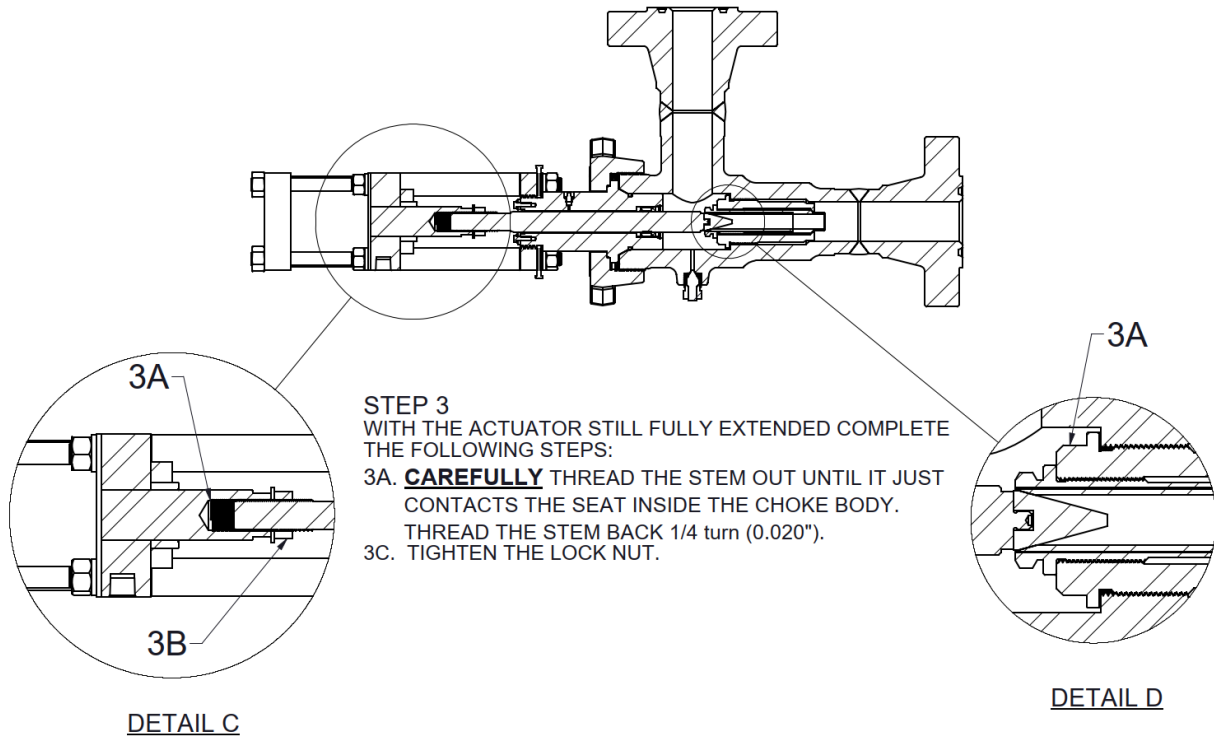




STEP 2

Install the topworks onto the choke body.
The stem should **not** contact the seat
with the stem threaded fully into the actuator.





Adjusting the stem back away from the seat will avoid the risk of damage as the choke stem should not contact the seat when fully extended. ¼ turn (0.020") is equivalent to approximately 13/64, this must be considered when calibrating any position sensors.

The choke actuator requires significantly more hydraulic pressure to open the choke if it is fully closed, this prevents that.

RDI Sales & Service Centers

For a list of our locations visit our website @
<https://rdironworks.com/contact-a-location-near-you/>.



Toll Free Phone: 855.973.4766
Email: info@rdironworks.com



RDIRONWORKS.COM